

captive®

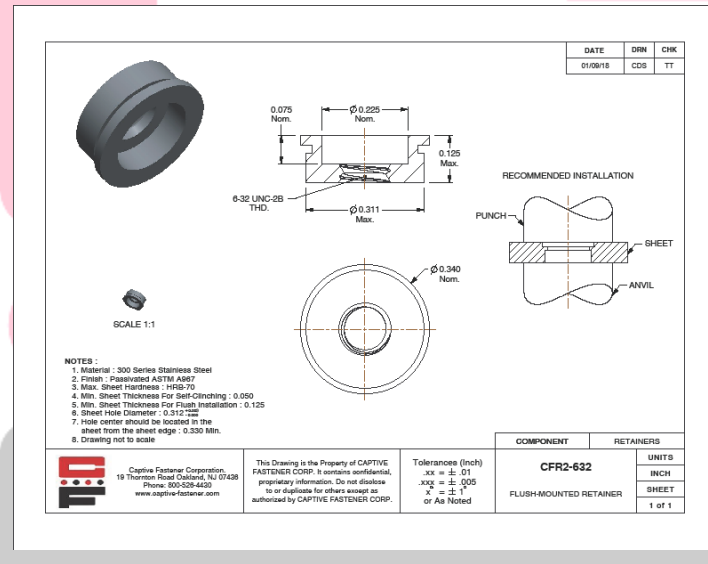
fastener corporation

19 Thornton Road, Oakland, New Jersey, USA 07436
Telephone: (201) 337-6800 FAX: (201) 337-1012
Web Site: www.captive-fastener.com

News Release
2D Sales Drawings

2D Sales Drawings

We are pleased to announce that our new 2D sales drawings are now available on our website without the need to register. This convenient option will allow for the retrieval of prints 24/7 without a wait. If there is a print that is needed and cannot be found on our website please contact our VP of Sales Jim Kinlin at Jkinlin@captive-fastener.com to request the print. Please follow the steps below to access prints.



To access prints:

1. Visit our Website www.Captive-Fastener.com
2. Click on the TAB Catalog/2D+3D CAD tab
3. Scroll down to desired series
4. Click on the part number in the drop down menu in the selected series
5. Click view 2D Sales Drawing
6. The 2D Sales Drawing will be generated in a PDF format that can be printed or saved

If you have any questions or concerns on accessing prints please feel free to contact Jim or your inside sales representative.

Captive Fastener Marketing Team